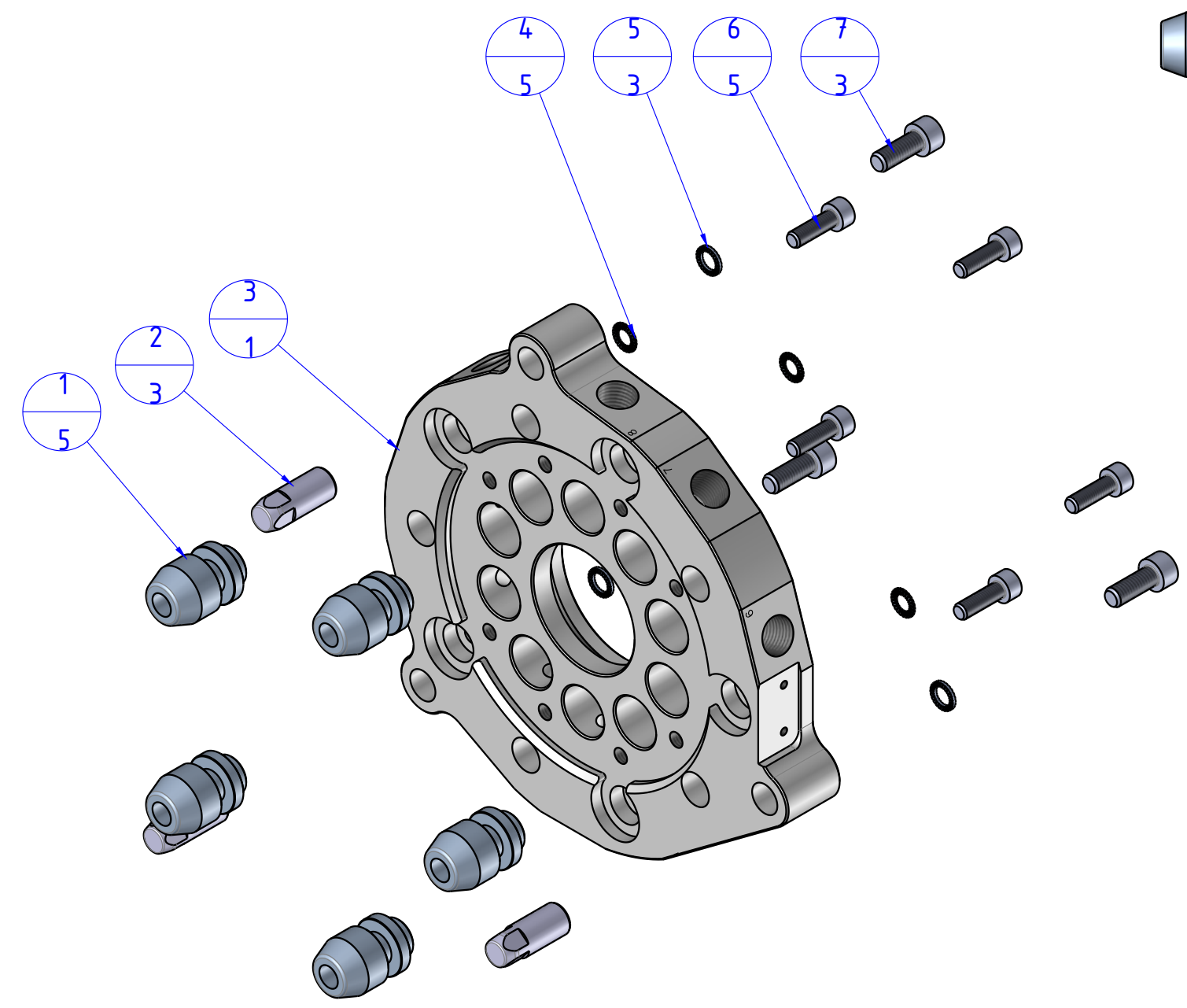
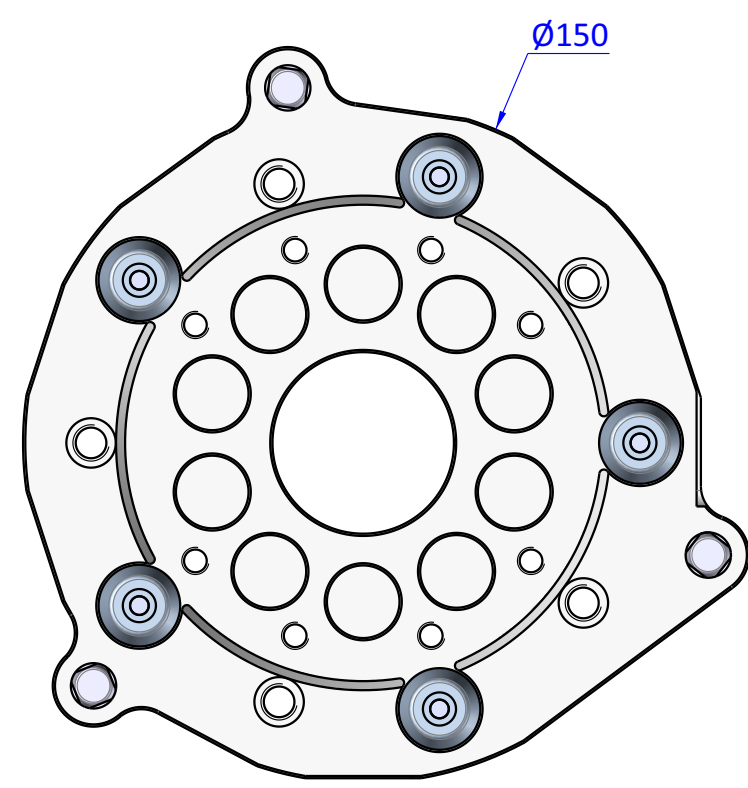
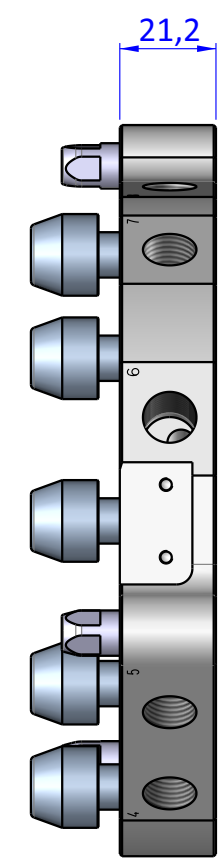



THE PROPERTY OF THE DRAWING IS ESTABLISHED BY LAW. IT IS FORBIDDEN TO PRODUCE OR SHOW IT TO THIRD PART - WITHOUT A WRITTEN AGREEMENT.

Item	Name	Q.ty
1	01.01.004.02	5
2	CUDL.150.08	3
3	CUDL.150.G.01	1
4	R.5.SCH	5
5	R.6.SCH	3
6	V.TCE5x16	5
7	V.TCE6x16	3



Format A3
UNI 936-76

 FPS SERVICES AUTOMATION		DESIGNED FROM		REVIEW
		FPS Automation		A
GENERAL TOLERANCE		DATE	WEIGHT	
UNI - ISO 2768		02/04/2021	0,699kg	
CLASSE f		CODE		
		CA.CUDL.150.G		CA.CUDL.150.G